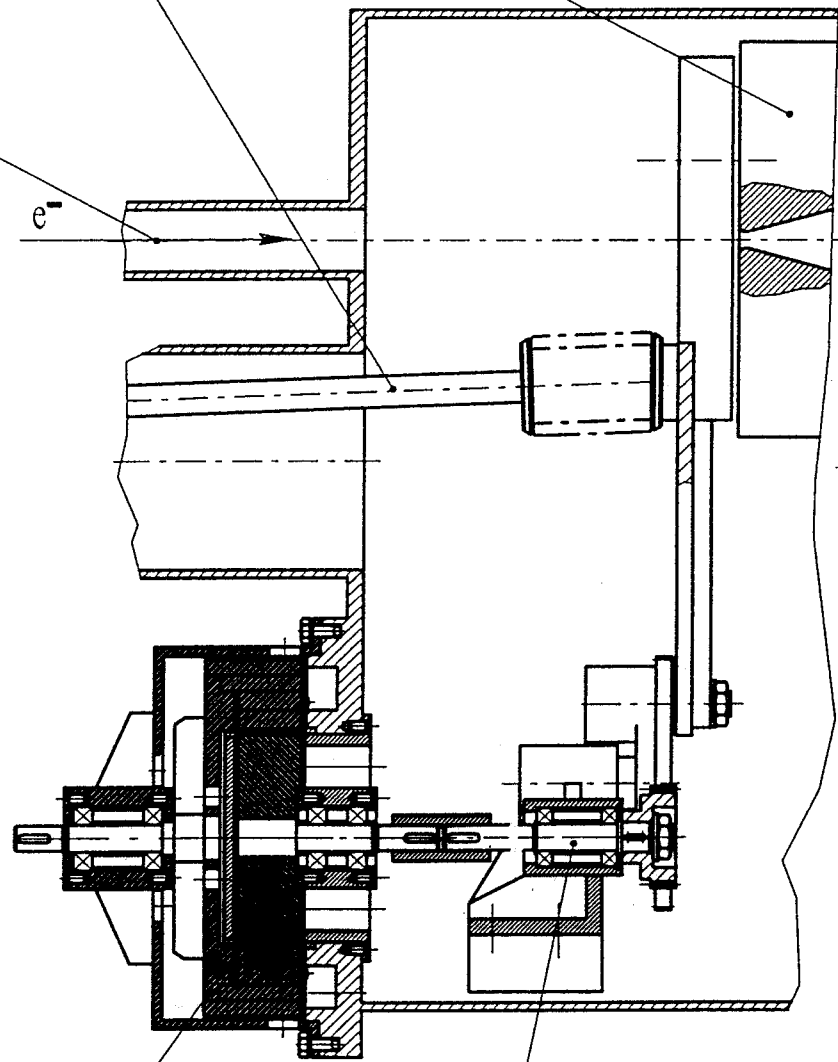
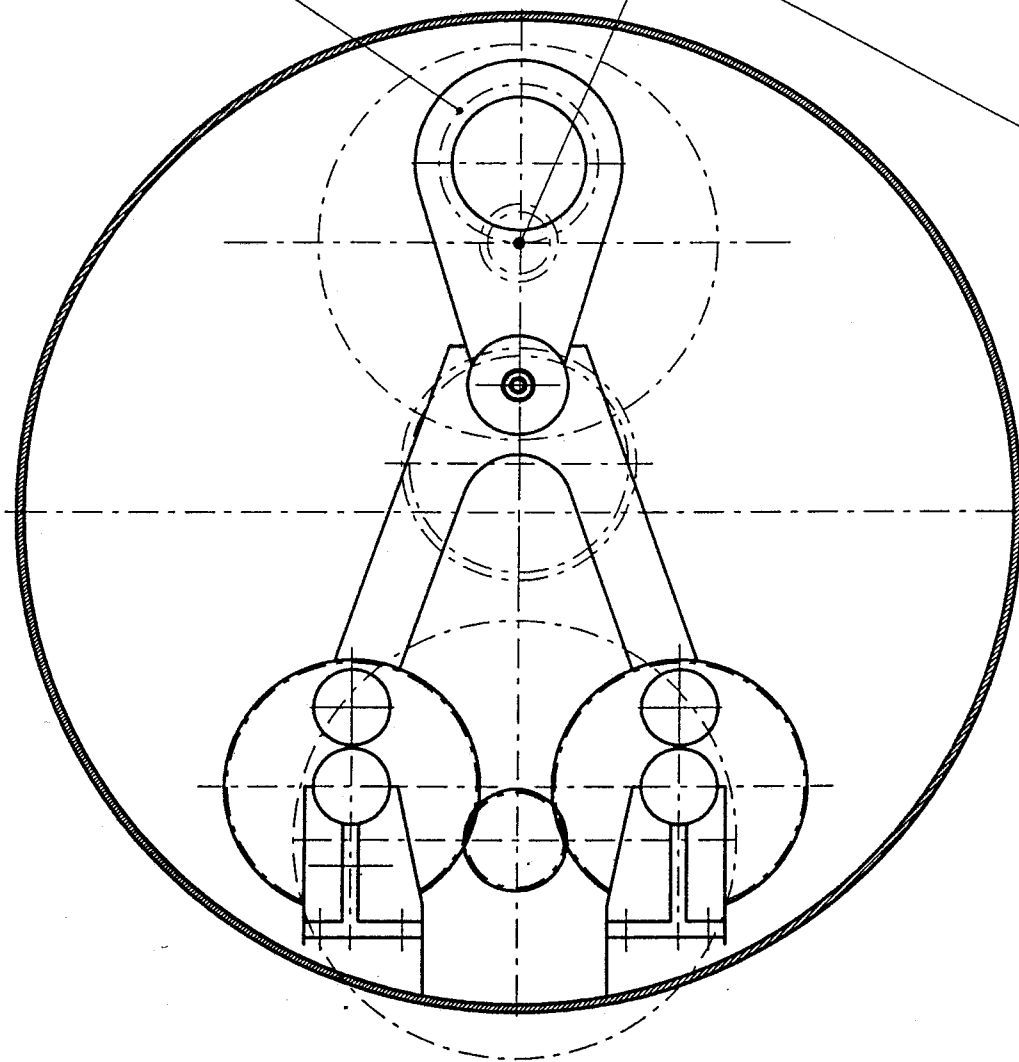


mobile target

electron beam

liquid lead input

flux concentrator



magnetic muff

drive

