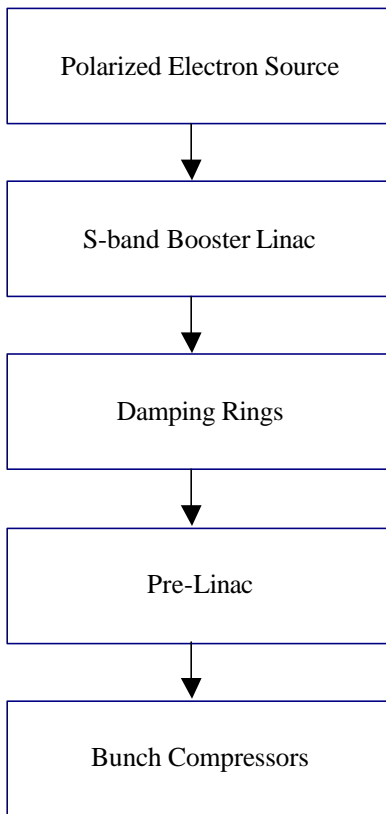


Injection System Block Diagram

[FMEA spreadsheet \(.xls\)](#)

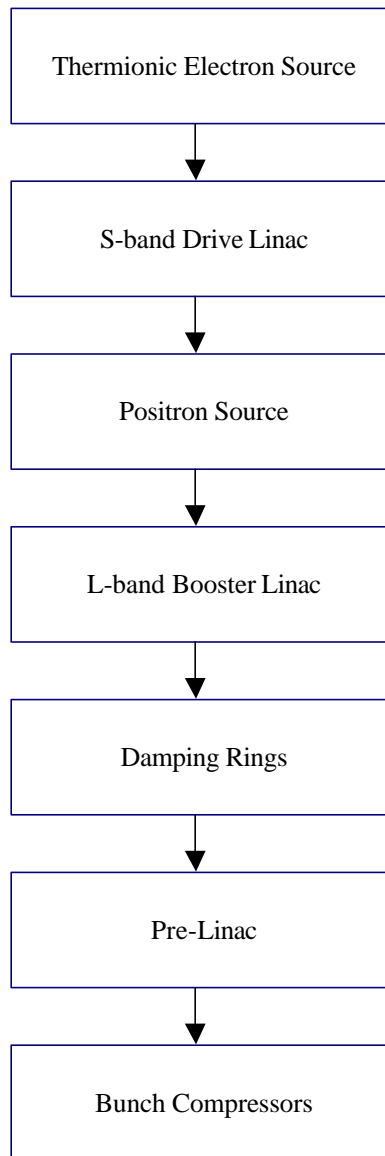
Polarized Electron Injector

[FMEA spreadsheet \(.xls\)](#)



Positron Injector

[FMEA spreadsheet \(.xls\)](#)



Return to: [NLC Injection Systems](#)